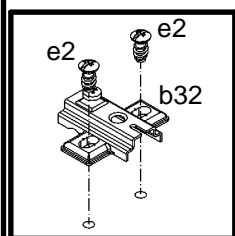
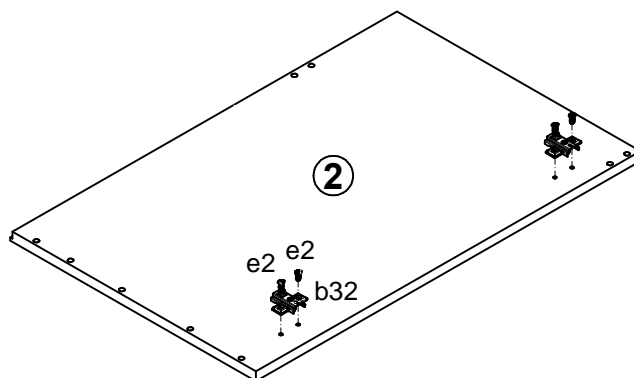
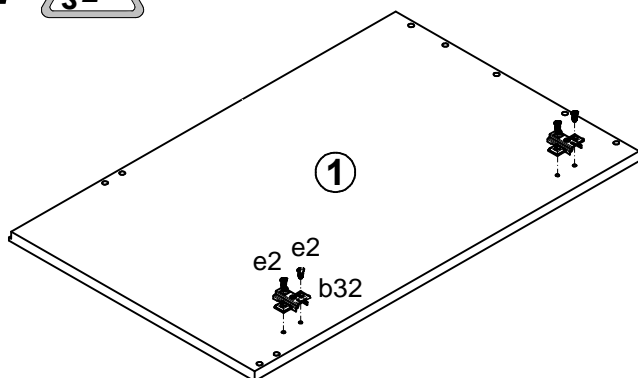
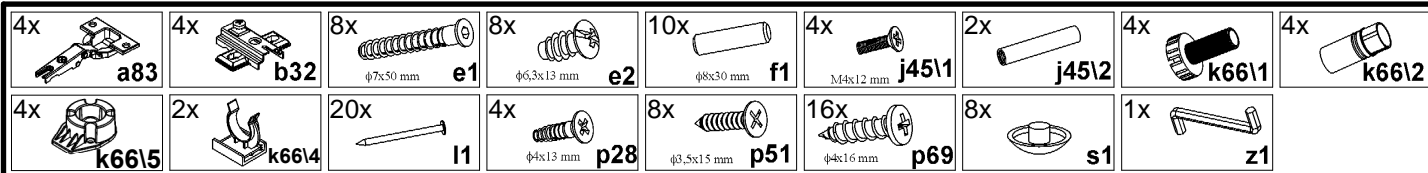
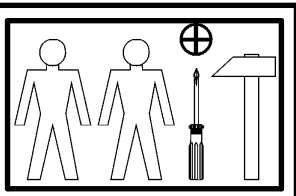
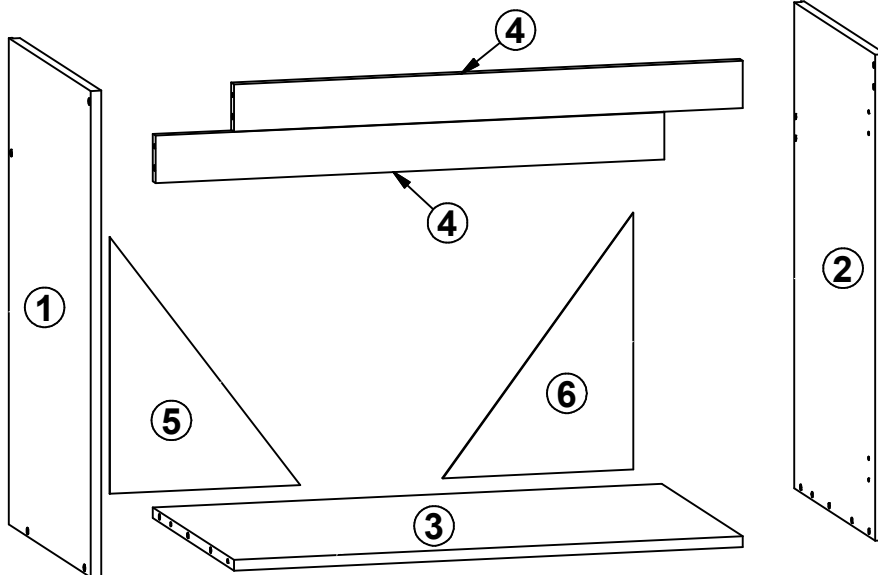
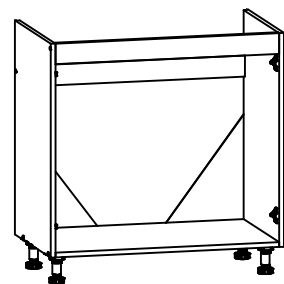


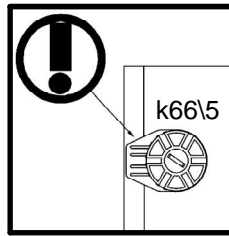
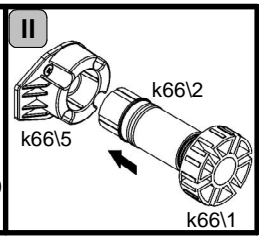
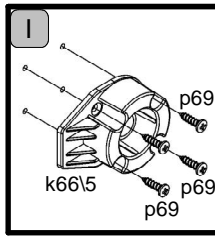
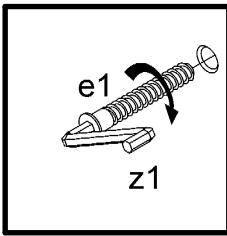
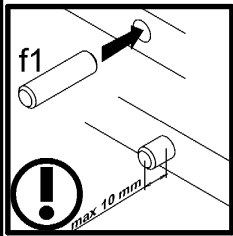
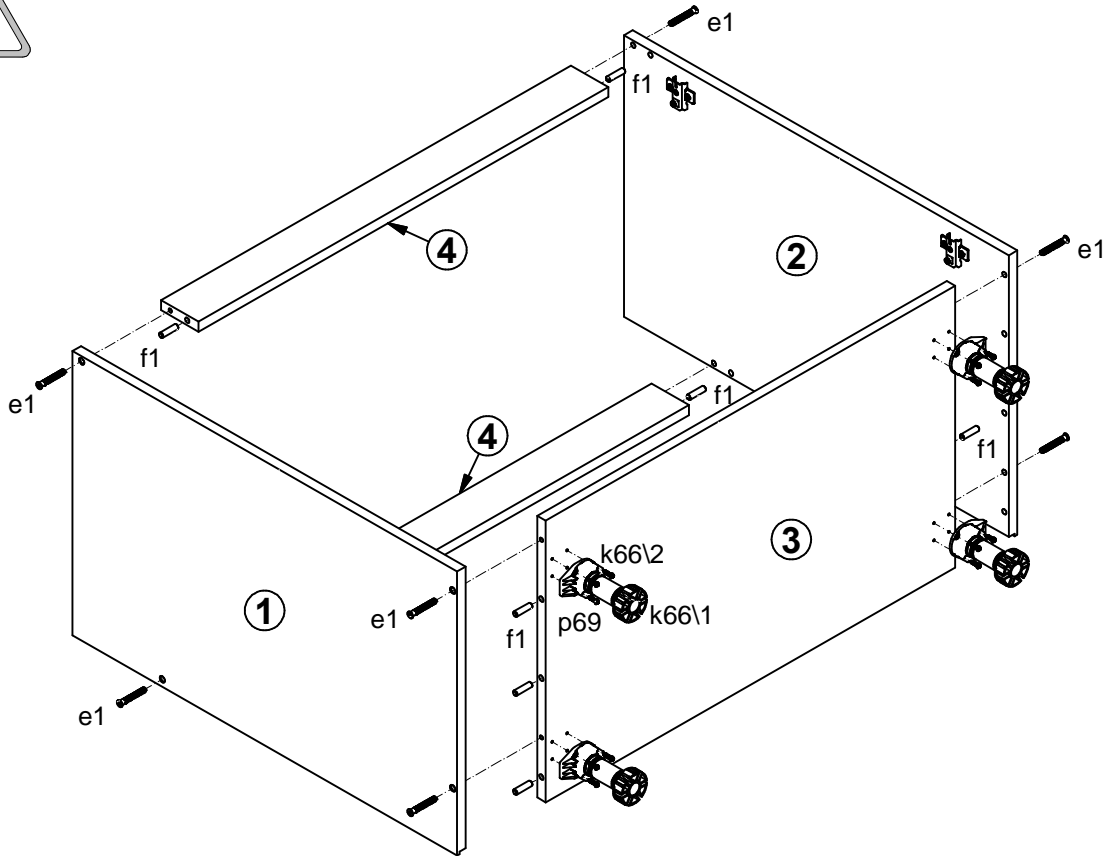
# FAMILY LINE

# K10-DK-80/82

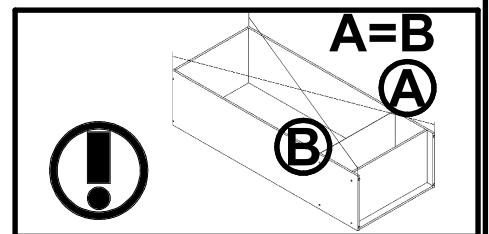
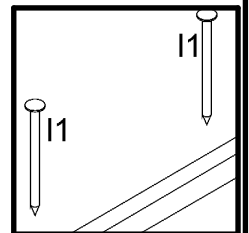
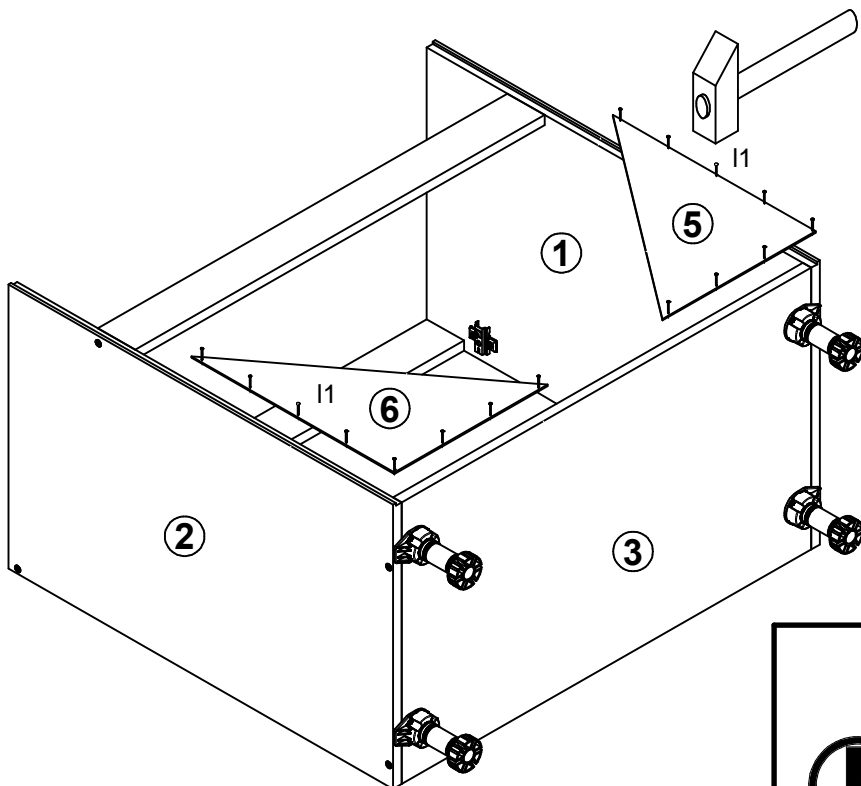
A	B	C	D
1	K10-129	720	460
2	K10-130	720	460
3	K10-350	767	456
4	K10-433	767	70
5	K10-917	380	287
6	K10-918	380	287



# 2



# 3



4

