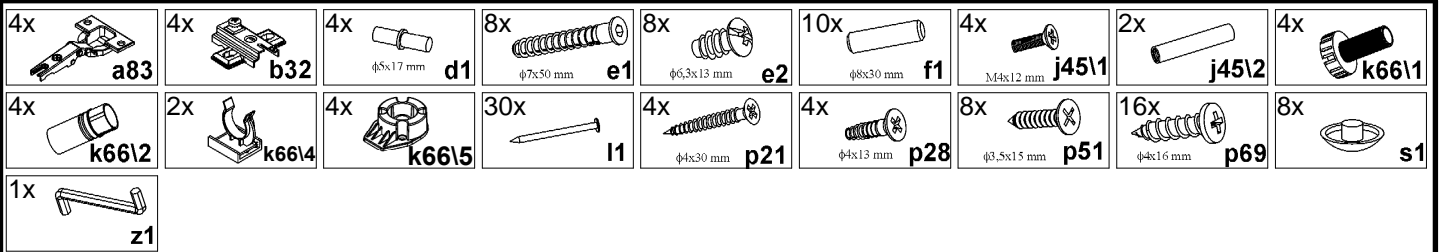
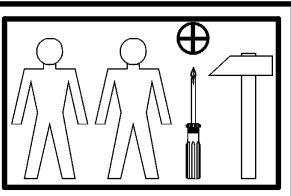
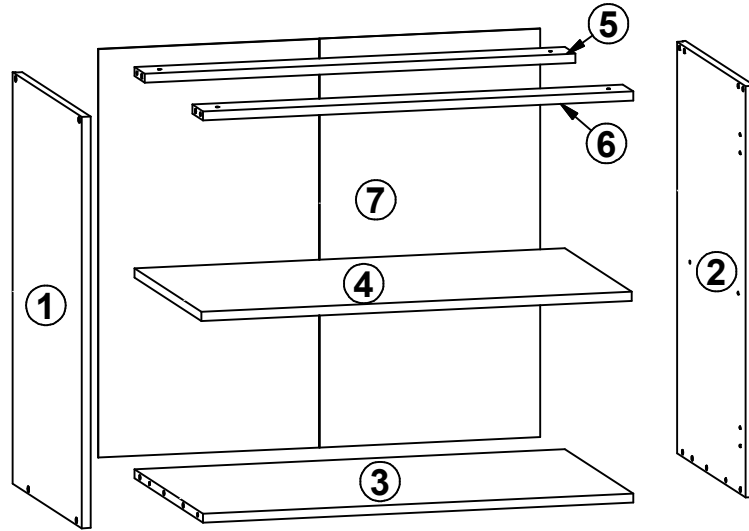
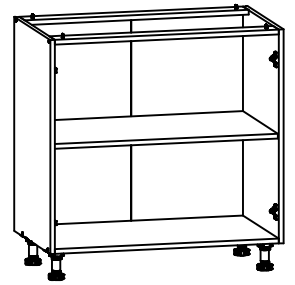


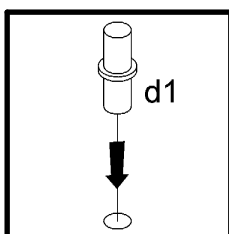
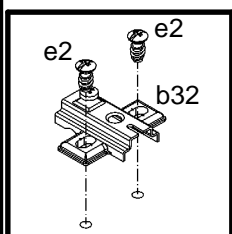
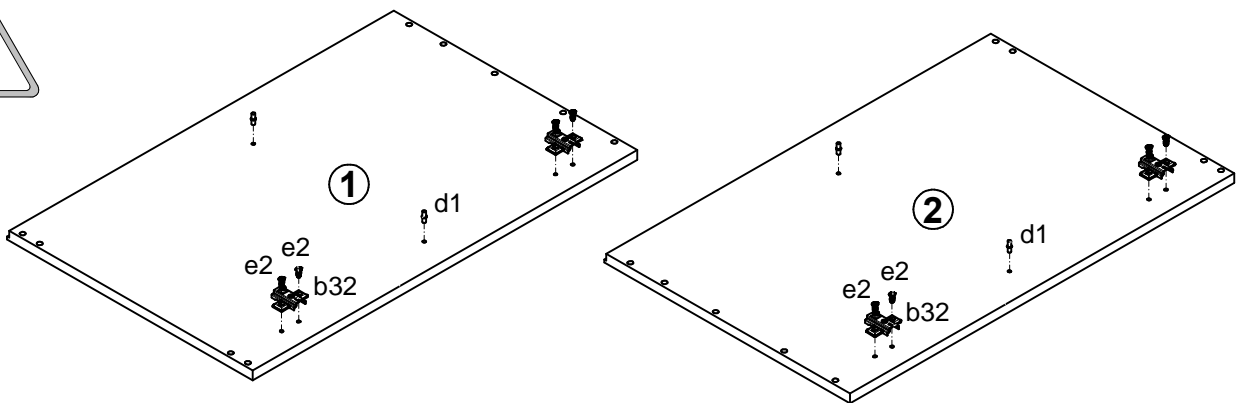
FAMILY LINE

K10-D-80/82

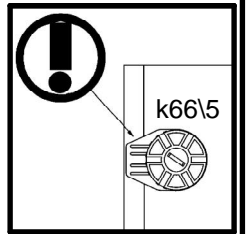
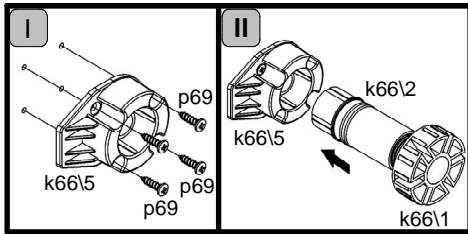
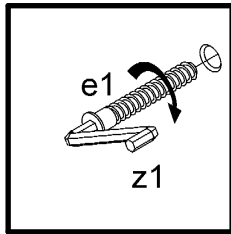
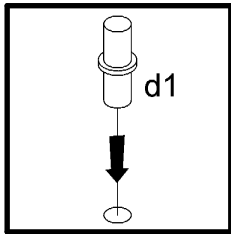
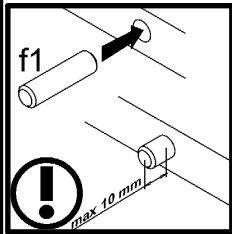
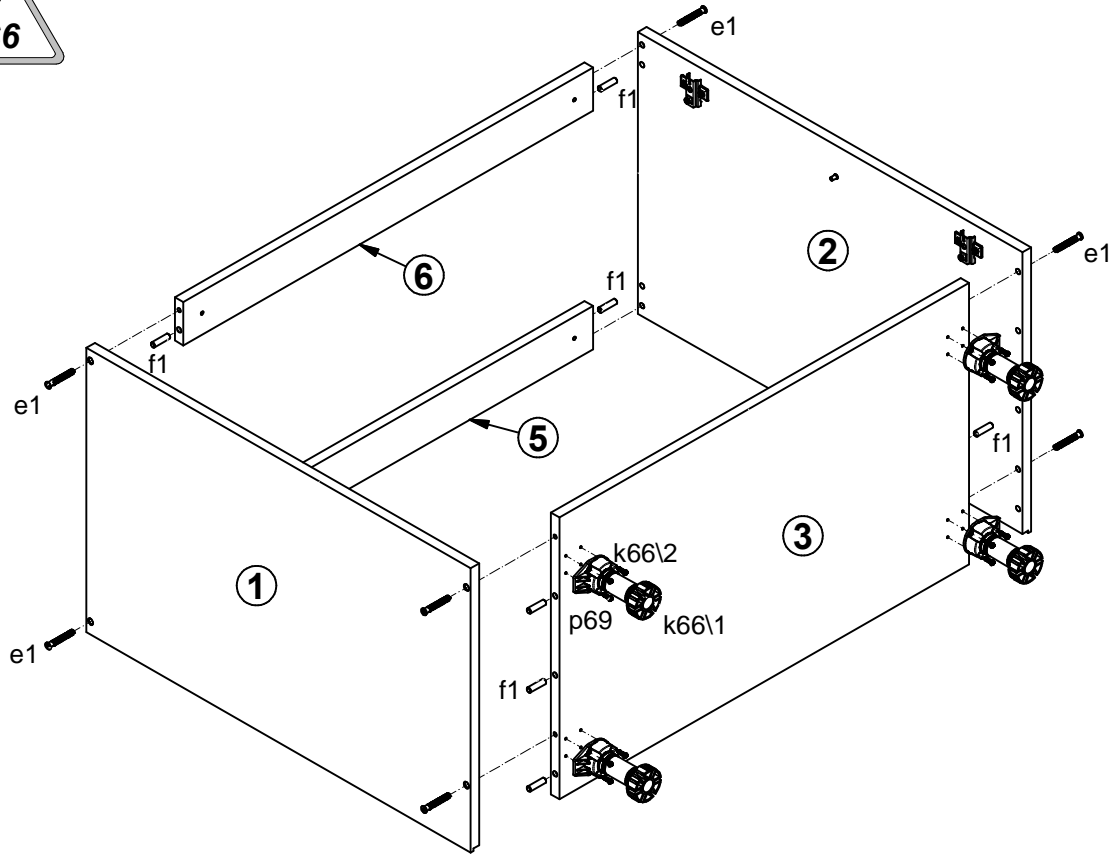
| A | B | C | D | |
|---|---------|------------|-----|-----|
| 1 | K10-103 | 720 | 460 | 1/3 |
| 2 | K10-104 | 720 | 460 | 1/3 |
| 3 | K10-350 | 767 | 456 | 1/3 |
| 4 | K10-351 | 767 | 446 | 1/3 |
| 5 | K10-430 | 767 | 70 | 1/3 |
| 6 | K10-431 | 767 <td 70 | 1/3 | |
| 7 | K10-926 | 715 | 787 | 1/3 |



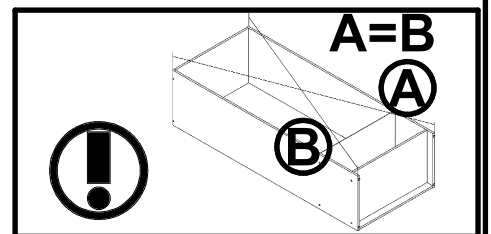
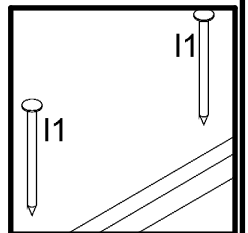
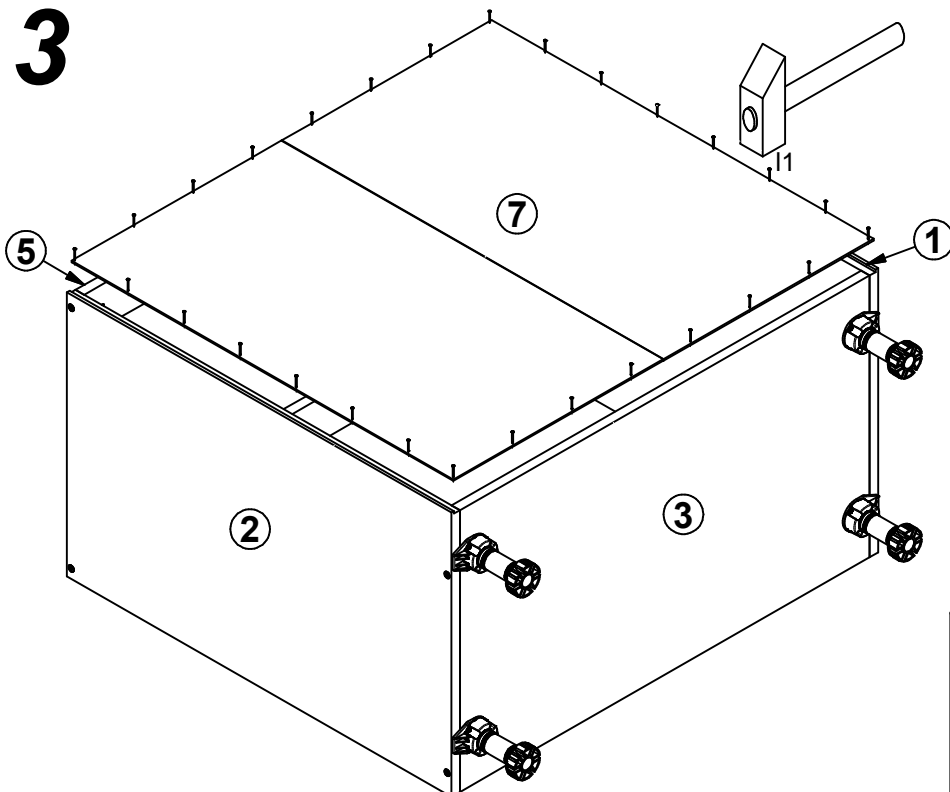
1



2



3



4

